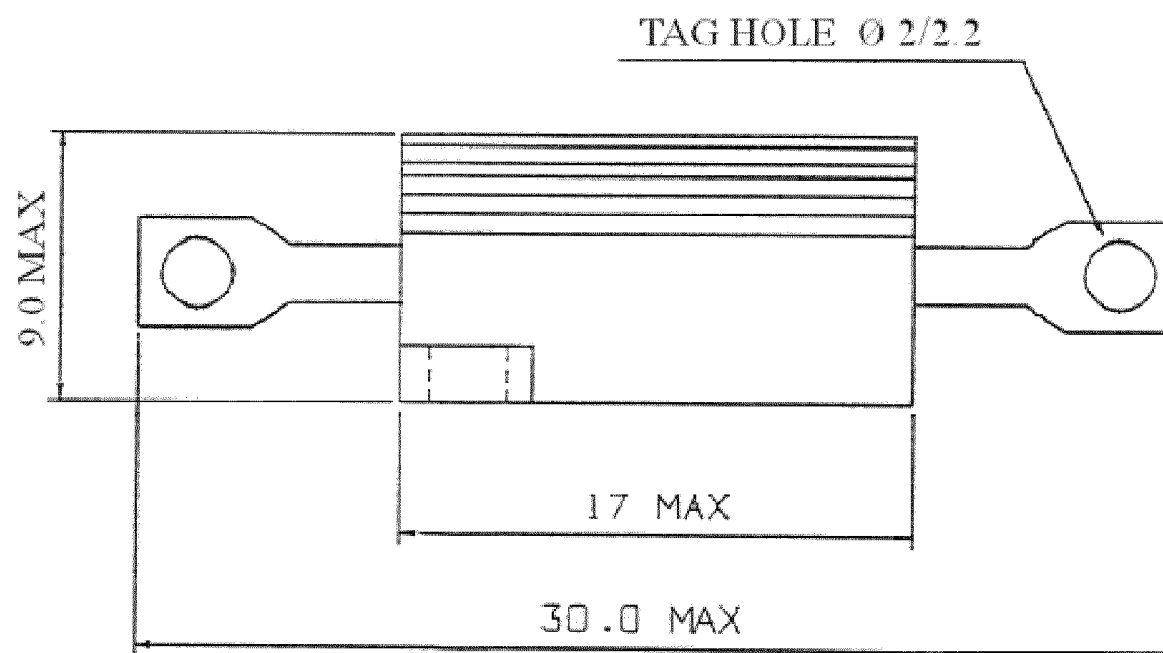
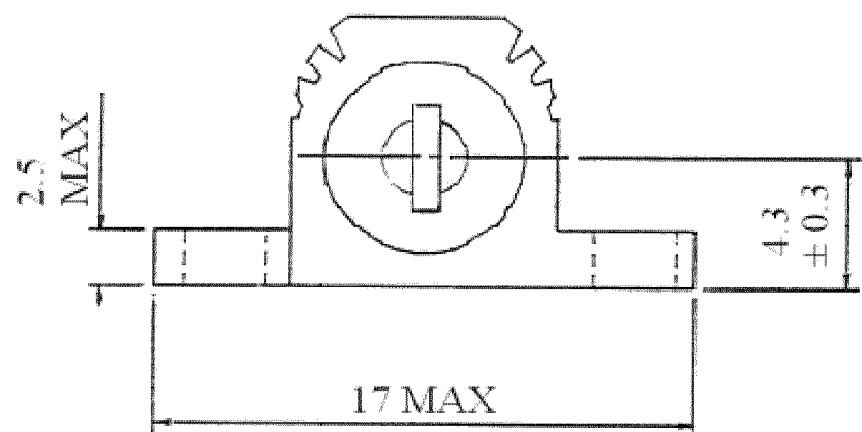
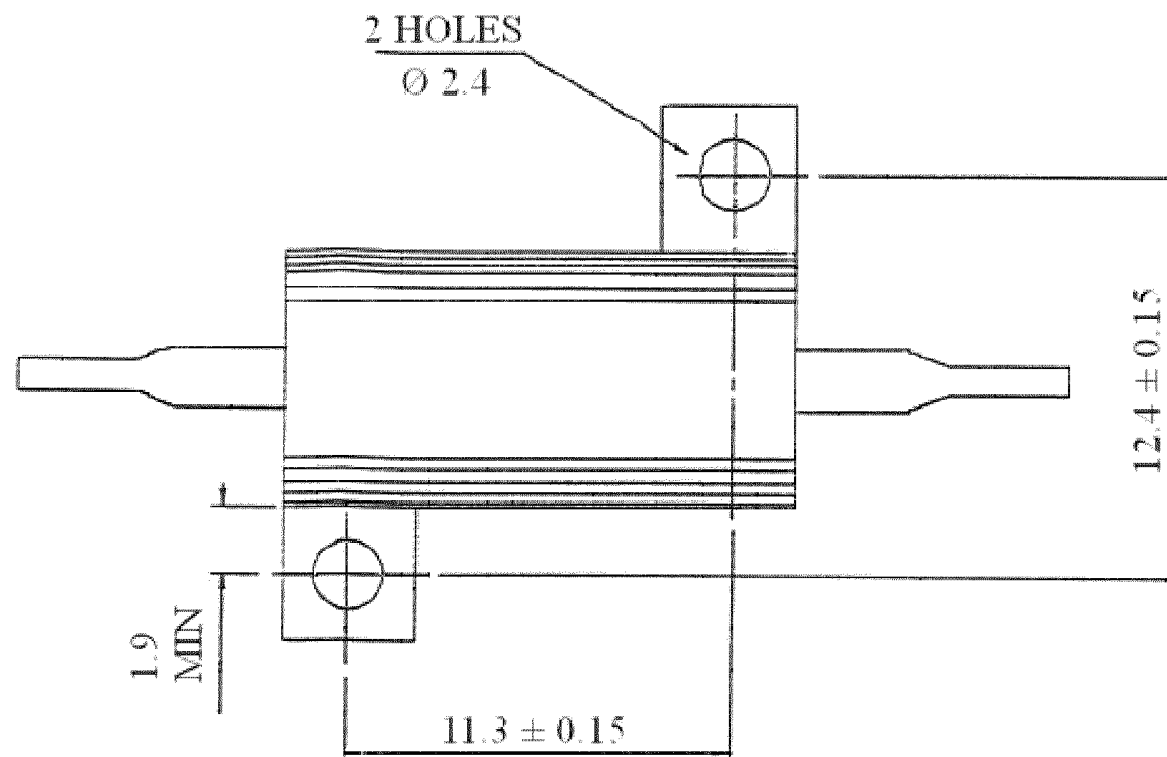


LOC E	DIST B	REVISIONS		
P	LTR	DESCRIPTION	DATE	DWN
	BA1	REVISED PER ECO-11-005150	21MAR11	RK
				APVD HMR


Technical Specification

Dissipation at 25°C	10 Watts Mounted on std heatsink
BS Ohmic Range	R01 to 10K
Stability	$\Delta R \leq 1\%$ per 1000hrs
Isolation Voltage	1400V DC/AC pk
Max Working Voltage	160 V DC/AC rms
Temp Coefficient	<100R ± 50 ppm/°C >100R ± 30 ppm/°C
Climatic Category	55/200/56



RoHS Compliant

FOR A SPECIFIC PN FOR A RESISTANCE VALUE AND TOLERANCE, PLEASE REFER TO DMF.

THIS DRAWING IS A CONTROLLED DOCUMENT.		DWN R BLANCH 19SEPT06	 TE Connectivity		
DIMENSIONS: INCHES		CHK J CATCHPOLE 19SEPT06			
TOLERANCES UNLESS OTHERWISE SPECIFIED:		APVD J CATCHPOLE 19SEPT06	PRODUCT SPEC		
0 PLC ± 0.5 1 PLC ± 0.2 2 PLC ± 0.1 3 PLC ± - 4 PLC ± - ANGLES ± 5		APPLICATION SPEC			RESTRICTED TO
MATERIAL		WEIGHT			SIZE A3
		FINISH			CAGE CODE 00779
		CUSTOMER DRAWING			DRAWING NO C-1879073
		SCALE NTS			SHEET 1 OF 1
		REV BA1			